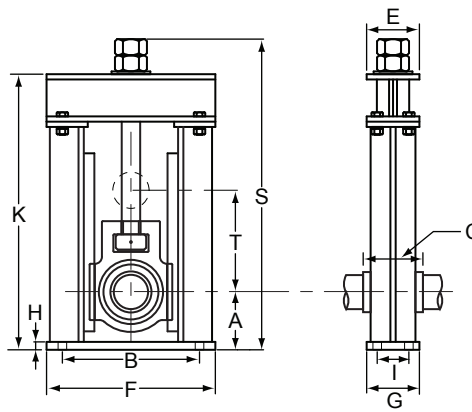


Heavy Duty Head-End Takeups JGT-2000 / JGT-5000

- Apply downward loads only
- Welded steel frame

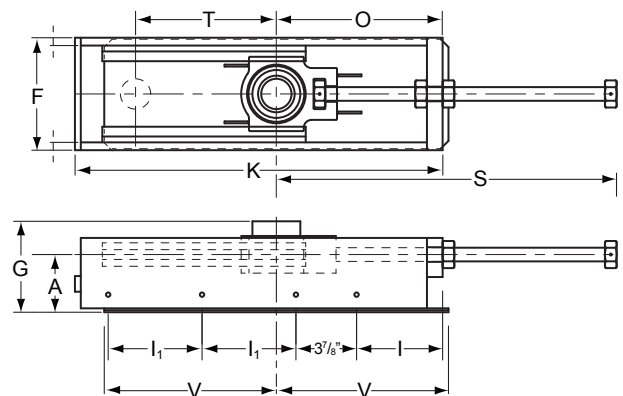


SHAFT DIA.	COMPLETE ASSY. NUMBER	FRAME ASSY. ONLY	ALLOWABLE WORKING LOAD †	A	B	C	E	F	G	H	I	K	TRAVEL T	S	BOLT SIZE	TAKEUP WT.
1 15/16	JGT6-2115-6	JGT6-6	12,300	3 5/16	10	3 13/16	4	12	4	1/2	1 3/4	16 3/4	6	15 9/16	1/2	47
2	JGT6-2200-6															
2 7/16	JGT8-2207-7	JGT8-7	20,900	4 1/8	11	4 3/8	4 15/16	13 1/2	4	3/4	2	19 7/16	7	18 3/4	5/8	74
2 1/2	JGT8-2208-7															
2 11/16	JGT9-2211-7	JGT9-7	26,800	4 5/8	12	4 7/8	5 1/4	14 1/2	5	3/4	2 1/2	20 7/8	7	17 7/8	5/8	101
2 3/4	JGT9-2212-7															100
2 9/16	JGT9-2215-7															
3	JGT9-2300-7															
3 7/16	JGT10-2307-10	JGT10-10	27,300	5 1/8	13	5 5/16	6	16	5	3/4	3	25 1/16	10	23 3/16	3/4	140
3 1/2	JGT10-2308-10															
3 11/16	JGT11-2311-10	JGT11-10	45,400	5 13/16	14	6 1/4	8 1/4	17	5	3/4	3	27 3/4	10	26 7/16	3/4	214
3 9/16	JGT11-2315-10															211
4	JGT11-2400-10															210
4 7/16	JGT12-5407-10	JGT12-10	53,700	6 13/16	17	6 1/4	9 1/4	20	6	3/4	3 1/2	32 1/4	10 1/2	29 1/2	7/8	260
4 1/2	JGT12-5408-10															
4 15/16	JGT13-5415-10	JGT13-10	68,000	7 3/16	18	7 7/8	9 7/16	21	6	3/4	3 1/2	34 5/8	10 1/2	31 3/4	7/8	329
5	JGT13-5500-10															326

- NOTES: 1) Dimensions subject to change. Certified dimensions of ordered material furnished on request.
 2) For takeup blocks, see page 5.
 † Allowable working load is 2/3 yield strength.

Heavy Duty Boot-End Takeups JFT-2000

- Sliding sealing plate with felt backing
- Welded steel frame



SHAFT DIA.	COMPLETE ASSY. NUMBER	FRAME ASSY. ONLY	A	F	G	I	I1	K	TRAVEL T	O	S	V	BOLT SIZE	TAKEUP WT.
1 15/16	JFT6-2115-9	JFT6-9	3 11/16	7 3/16	5 13/16	5 1/2	6	23 1/2	9	10 5/8	21 3/4	11	1/2	74
2 7/16	JFT8-2207-12	JFT8-12	3 15/16	8 5/16	6 1/8	7 5/16	7 1/2	28 5/8	12	12 7/16	27	14	1/2	96
2 15/16	JFT9-2215-12	JFT9-12	4 3/8	8 5/8	6 3/4	8 3/4	7 1/2	30 3/8	12	13 7/8	28 5/8	14	1/2	125

- NOTES: 1) Dimensions subject to change. Certified dimensions of ordered material furnished on request.
 2) For takeup blocks, see page 5.