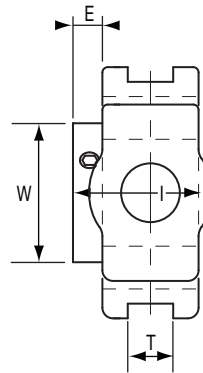
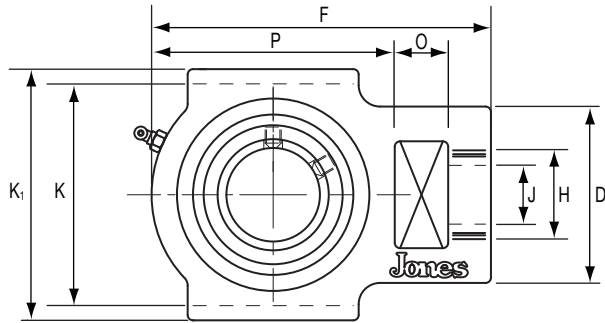


Takeup Blocks -Normal & Heavy Duty

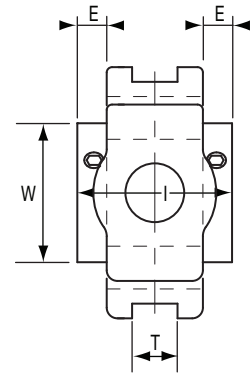
JT-2000 / JT-5000

Jones

- Takeup blocks on this page may be used with JHT, JFT, JAT, JGT or CU frame
- Fixed and expansion units



2000 Series



5000 Series

SHAFT SIZE	2000 SERIES	5000 SERIES	WORKING LOAD †	SIZE CODE	I		D	E	F	H	I	J	K +0.005 -0.015	K1	O	P	T +0.005 -0.015	W	WEIGHT 2000	WEIGHT 5000	
					2000 SERIES	5000 SERIES															
1 ⁷ / ₁₆	JT4-2107	JT4-5107	7,600	4	2 ¹³ / ₁₆	—	2 ⁷ / ₁₆	1 ¹ / ₁₆	5 ³ / ₈	1 ⁷ / ₁₆		7 ⁸ / ₁₆	3 ¹ / ₂	4 ¹ / ₈	5 ⁸ / ₁₆	4	1 ⁷ / ₃₂	2 ³ / ₈	6.4	6.6	
1 ¹ / ₂	JT4-2108	JT4-5108																	6.3	6.5	
1 ¹¹ / ₁₆	JT5-2111	—	12,300	5	2 ¹⁵ / ₁₆	—	3 ⁵ / ₁₆	5 ⁸ / ₁₆	6 ¹ / ₈	1 ¹⁵ / ₁₆		1 ¹ / ₈	4	4 ³ / ₄	3 ⁴ / ₈	4 ⁵ / ₈	1 ¹ / ₁₆	2 ⁵ / ₈	9.8	10.0	
1 ³ / ₄	JT5-2112																		9.7	10.0	
1 ¹⁵ / ₁₆	JT6-2115	JT6-5115	12,300	6	3 ¹ / ₁₆	—	3 ⁵ / ₁₆	5 ⁸ / ₁₆	6 ¹ / ₈	1 ¹⁵ / ₁₆		1 ¹ / ₈	4	4 ³ / ₄	3 ⁴ / ₈	4 ⁵ / ₈	1 ¹ / ₁₆	2 ⁷ / ₈	10.1	10.3	
2	JT6-2200	JT6-5200																	9.9	10.1	
2 ³ / ₁₆	JT7-2203	JT6-5203	13,500	7	3 ³ / ₁₆	—	3 ³ / ₄	3 ⁴ / ₈	7 ¹ / ₈	2 ¹ / ₄		1 ¹ / ₄	4 ¹ / ₂	5 ¹ / ₄	1	5 ¹ / ₄	1 ³ / ₁₆	3 ³ / ₄	13.6	13.6	
2 ⁷ / ₁₆	JT8-2207	JT8-5207	20,900	8	3 ⁷ / ₁₆	—	4 ¹ / ₈	7 ⁸ / ₁₆	7 ³¹ / ₃₂	2 ¹ / ₂		1 ³ / ₈	5 ¹ / ₈	5 ⁷ / ₈	1 ¹ / ₄	5 ²⁵ / ₃₂	1 ¹ / ₁₆	4	18.2	19.0	
2 ¹ / ₂	JT8-2208	JT8-5208																	17.9	18.5	
2 ¹¹ / ₁₆	JT9-2211	—	26,800	9	3 ¹¹ / ₁₆	—	4 ³ / ₄	7 ⁸ / ₁₆	8 ¹⁵ / ₁₆	2 ³ / ₄		1 ⁵ / ₈	5 ⁵ / ₁₆	6 ¹¹ / ₁₆	1 ¹ / ₄	6 ¹ / ₂	1 ¹³ / ₁₆	4 ¹ / ₂	28.8	29.0	
2 ³ / ₄	JT9-2212																		28.4		
2 ¹⁵ / ₁₆	JT9-2215	JT9-5215																	27.6		
3	JT9-2300	—																	27.0		
3 ⁷ / ₁₆	JT10-2307	JT10-5307	27,300	10	4 ³ / ₃₂	—	4 ⁷ / ₈	7 ⁸ / ₁₆	10 ¹ / ₄	2 ⁷ / ₈		1 ⁷ / ₈	6 ¹³ / ₁₆	7 ¹³ / ₁₆	1 ⁵ / ₈	7 ⁹ / ₁₆	1 ¹³ / ₁₆	5 ¹ / ₈	40.5	42.0	
3 ¹ / ₂	JT10-2308	—																	40.0		
3 ¹¹ / ₁₆	JT11-2311	—	45,400	11	4 ²¹ / ₃₂	—	5 ⁵ / ₈	1	12 ¹ / ₈	3 ³ / ₈		2 ¹ / ₈	8 ⁵ / ₈	9 ⁷ / ₁₆	2 ¹ / ₈	8 ¹³ / ₁₆	2 ¹ / ₁₆	6	59.0	60.0	
3 ¹⁵ / ₁₆	JT11-2315																		JT11-5315		58.0
4	JT11-2400																		—		57.0
4 ⁷ / ₁₆	—	JT12-5407	53,700	12	—	6 ¹ / ₁₆	6 ³ / ₈	1	13 ⁷ / ₁₆	3 ³ / ₈		2 ¹ / ₈	9 ¹ / ₂	10 ³ / ₈	2 ¹ / ₈	9 ¹³ / ₁₆	2 ¹ / ₁₆	6 ¹ / ₈	—	91.1	
4 ¹ / ₂		JT12-5408																	—	90.0	
4 ¹⁵ / ₁₆	—	JT13-5415	68,000	13	—	6 ⁵ / ₈	7	1	15 ¹ / ₈	3 ³ / ₄		2 ³ / ₈	10 ¹ / ₄	11 ¹ / ₄	2 ¹ / ₂	10 ⁷ / ₈	2 ¹ / ₁₆	6 ⁷ / ₈	—	130	
5 ⁷ / ₁₆	—	JT14-5507	140,900	14	—	8	8	1 ¹ / ₃₂	20 ⁵ / ₈	5		3 ¹ / ₈	14 ¹ / ₈	16	3 ¹ / ₂	15 ³ / ₈	2 ⁹ / ₁₆	8 ³ / ₁₆	—	417	
5 ¹⁵ / ₁₆	—	JT15-5515	140,900	15	—	8 ¹ / ₈	8	1 ¹ / ₃₂	20 ⁵ / ₈	5		3 ¹ / ₈	14 ¹ / ₈	16	3 ¹ / ₂	15 ³ / ₈	2 ⁹ / ₁₆	8 ¹¹ / ₁₆	—	426	
6		JT15-5600																	—	424	
6 ⁷ / ₁₆	—	JT16-5607	165,300	16	—	8 ³ / ₄	8	1 ¹ / ₃₂	20 ⁵ / ₈	5		3 ¹ / ₈	14 ¹ / ₈	16	3 ¹ / ₂	15 ³ / ₈	2 ⁹ / ₁₆	9 ³ / ₄	—	433	
6 ¹⁵ / ₁₆		JT16-5615																	—	428	
7		JT16-5700																	—	426	

- NOTES: 1) Dimensions subject to change. Certified dimensions of ordered material furnished on request.
2) 2000 series has single set collar. 5000 series has double set collar.

† Allowable working load is ²/₃ yield strength.

Jones Bearing Company

P.O. Box 274 Highway 72 East • Pelham, Alabama 35124 • USA

Phone: 205-663-3002 • Fax: 205-664-3351