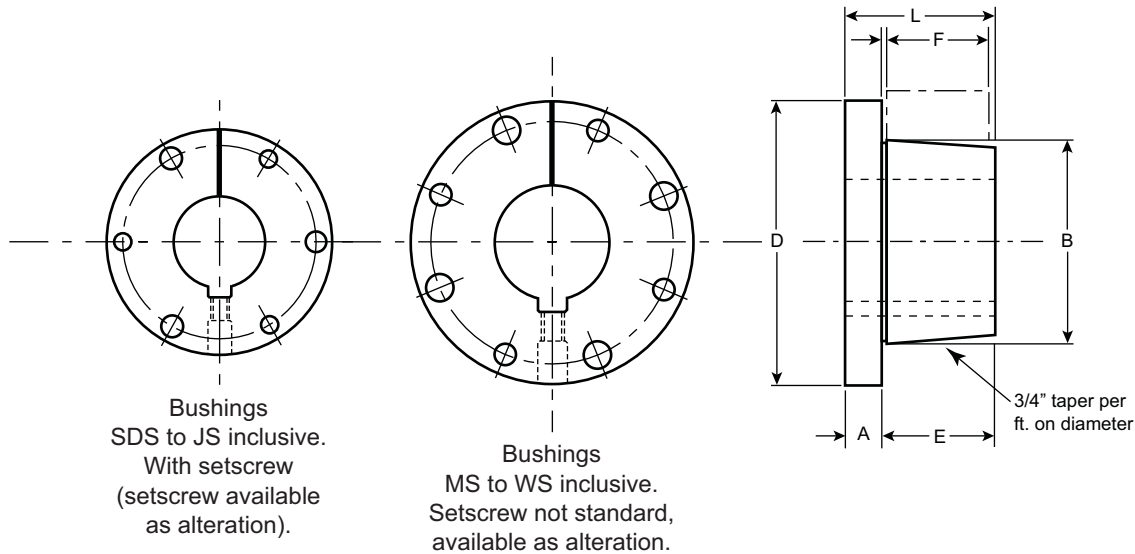


Q-Style Bushings - BSHQD

Dimensions



Q-Style bushings are designed to transmit the rated torque capacity listed in the table below when the cap screws are tightened as indicated. The bushings are stocked in many popular bore sizes within bore range for a particular bushing. All American Pulley Q-Style bushings are normally stocked in forged steel for heavy duty conveyor pulley applications.



Bushing	Torque Capacity (in.-lbs.)	(Note 1) Max. Bore	Dimensions in inches						Bolt Circle	Cap Screws Required
			A	B	D	E	F*	L		
SDS	5,000	1-15/16	7/16	2.1875	3-3/16	7/8	3/4	1-5/16	2-11/16	3 @ 1/4 - 20
SK	7,000	2-1/2	1/2	2.8125	3-7/8	1-3/8	1-1/4	1-7/8	3-5/16	3 @ 5/16 - 18
SF	11,000	2-15/16	1/2	3.125	4-5/8	1-1/2	1-1/4	2	3-7/8	3 @ 3/8 - 16
E	20,000	3-1/2	3/4	3.834	6	1-7/8	1-1/2	2-5/8	5	3 @ 1/2 - 13
F	40,000	3-15/16	13/16	4.4375	6-5/8	2-13/16	1-3/4	3-5/8	5-5/8	3 @ 9/16 - 12
JS	55,000	4-1/2	1	5.1484	7-1/4	2-3/8	2	3-3/8	6-1/4	3 @ 5/8 - 11
MS	125,000	5-1/2	1-3/16	6.500	9-1/8	3-5/8	2-1/4	4-13/16	7-7/8	4 @ 3/4 - 10
NS	150,000	6	1-1/2	7.000	10	4-1/2	2-1/2	6	8-1/2	4 @ 7/8 - 9
PS	250,000	7	1-1/2	8.250	11-3/4	5	3	6-1/2	10	4 @ 1 - 8
WS	375,000	8-1/2	1-3/4	10.437	15	5-1/2	3-1/2	7-1/4	12-3/4	4 @ 1-1/8 - 7

* Mating hub length

Note 1: Maximum bore with keyseat.

- Easy Installation and Removal
- True Clamp Fit
- Permit Four-Way Mounting

Q-Style Bushings - BSHQD

Bore & Keyseat Dimensions



American Pulley stocks Q-Style bushings in the following bore and keyseat sizes. At larger bore sizes a shallow keyseat is sometimes provided, depending on the metal thickness. In cases where a keyseat is necessary, American Pulley will provide the appropriate rectangular key at no charge. This has no effect on the ability of the bushing to transmit the load. The rectangular key, also known as a flat key, fits into the standard keyway in the shaft.

SDS BUSHINGS			
Product #	Bore	Key Seat	Wt.
SDS100	1	1/4 x 1/8	1.5
SDS102	1-1/8	1/4 x 1/8	1.4
SDS103	1-3/16	1/4 x 1/8	1.4
SDS104	1-1/4	1/4 x 1/8	1.3
SDS105	1-5/16	5/16 x 5/32	1.3
SDS106	1-3/8	5/16 x 5/32	1.2
SDS107	1-7/16	3/8 x 3/16 *	1.2
SDS108	1-1/2	3/8 x 3/16 *	1.1
SDS110	1-5/8	3/8 x 3/16	1.0
SDS111	1-11/16	3/8 x 3/16 *	1.0
SDS112	1-3/4	3/8 x 1/8	1.0
SDS115	1-15/16	1/2 x 1/16 *	0.8

SK BUSHINGS			
Product #	Bore	Key Seat	Wt.
SK107	1-7/16	3/8 x 3/16	2.9
SK108	1-1/2	3/8 x 3/16	2.9
SK115	1-15/16	1/2 x 1/4	2.3
SK203	2-3/16	1/2 x 1/8 *	2.0
SK207	2-7/16	5/8 x 1/16 *	1.6

SF BUSHINGS			
Product #	Bore	Key Seat	Wt.
SF103	1-3/16	1/4 x 1/8	4.6
SF104	1-1/4	1/4 x 1/8	4.5
SF107	1-7/16	3/8 x 3/16	4.3
SF108	1-1/2	3/8 x 3/16	4.2
SF110	1-5/8	3/8 x 3/16	4.1
SF111	1-11/16	3/8 x 3/16	4.0
SF112	1-3/4	3/8 x 3/16	3.9
SF115	1-15/16	1/2 x 1/4	3.6
SF200	2	1/2 x 1/4	3.5
SF203	2-3/16	1/2 x 1/4	3.2
SF207	2-7/16	5/8 x 3/16 *	2.9
SF208	2-1/2	5/8 x 3/16 *	2.8
SF210	2-5/8	5/8 x 1/16	2.5
SF215	2-15/16	3/4 x 1/32	1.7

E BUSHINGS			
Product #	Bore	Key Seat	Wt.
E115	1-15/16	1/2 x 1/4	9.2
E200	2	1/2 x 1/4	9.0
E203	2-3/16	1/2 x 1/4	8.6
E207	2-7/16	5/8 x 5/16	8.0
E208	2-1/2	5/8 x 5/16	7.8
E215	2-15/16	3/4 x 1/8 *	6.9
E300	3	3/4 x 1/8 *	6.7
E307	3-7/16	7/8 x 1/2	6.5

F BUSHINGS			
Product #	Bore	Key Seat	Wt.
F115	1-15/16	1/2 x 1/4	15.8
F200	2	1/2 x 1/4	15.6
F203	2-3/16	1/2 x 1/4	15.0
F207	2-7/16	5/8 x 5/16	14.1
F215	2-15/16	3/4 x 3/8	12.1
F307	3-7/16	7/8 x 3/16 *	10.3
F315	3-15/16	1 x 1/8 *	7.7

JS BUSHINGS			
Product #	Bore	Key Seat	Wt.
JS207	2-7/16	5/8 X 5/16	20.0
JS215	2-15/16	3/4 X 3/8	18.1
JS307	3-7/16	7/8 X 7/16	15.9
JS315	3-15/16	1 X 1/4 *	14.3
JS407	4-7/16	1 X 1/8 *	11.5

MS BUSHINGS			
Product #	Bore	Key Seat	Wt.
MS307	3-7/16	7/8 X 7/16	41.2
MS315	3-15/16	1 X 1/2	37.3
MS407	4-7/16	1 X 1/2 *	33.3
MS415	4-15/16	1-1/4 X 1/4 *	30.9
MS507	5-7/16	1-1/4 X 1/4 *	25.9

NS BUSHINGS			
Product #	Bore	Key Seat	Wt.
NS315	3-15/16	1 X 1/2	66.3
NS407	4-7/16	1 X 1/2	52.5
NS415	4-15/16	1-1/4 X 5/8	46.5
NS507	5-7/16	1-1/4 X 1/4	43.9
NS515	5-15/16	1-1/2 X 1/8	39.0
NS600	6	1-1/2 X 1/8	38.8

PS BUSHINGS			
Product #	Bore	Key Seat	Wt.
PS415	4-15/16	1-1/4 X 5/8	88.3
PS507	5-7/16	1-1/4 X 5/8	81.3
PS515	5-15/16	1-1/2 X 3/4	78.4
PS600	6	1-1/2 X 3/4	77.4
PS607	6-7/16	1-1/2 X 1/2	70.0
PS608	6-1/2	1-1/2 X 1/2	69.0
PS615	6-15/16	1-3/4 X 1/8	61.3
PS700	7	1-3/4 X 1/8	60.4

WS BUSHINGS			
Product #	Bore	Key Seat	Wt.
WS507	5-7/16	1-1/4 X 5/8	172.3
WS515	5-15/16	1-1/2 X 3/4	161.1
WS607	6-7/16	1-1/2 X 3/4	155.0
WS608	6-1/2	1-1/2 X 1/2	153.0
WS615	6-15/16	1-1/2 X 3/4 *	140.0
WS700	7	1-3/4 X 1/8 *	139.0
WS708	7-1/2	1-3/4 X 1/8 *	137.0
WS715	7-15/16	1-3/4 X 1/8	126.9
WS800	8	2 X 3/4	124.0
WS807	8-7/16	2 X 1/4	107.3
WS808	8-1/2	2 X 1/4	105.0

Note: When ordering, add the Q-Style Bushing prefix BSHQD to the indicated part number. For example, an SDS bushing for a 15/16" shaft would be ordered as part #BSHQDSDS015.

* Key furnished for these sizes only.

All measurements in inches. Weights are approximate in pounds.

Q-Style Bushings - BSHQD

Bore & Keyseat Dimensions



American Pulley can supply Q-Style bushings in the following bore and keyseat sizes on a special order basis.

SDS BUSHINGS			
Product #	Bore	Key Seat	Wt.
SDSMPB	7/16	No KS	1.7
SDS008	1/2	1/8 x 1/16	1.7
SDS009	9/16	1/8 x 1/16	1.7
SDS010	5/8	3/16 x 3/32	1.6
SDS011	11/16	3/16 x 3/32	1.6
SDS012	3/4	3/16 x 3/32	1.6
SDS013	13/16	3/16 x 3/32	1.6
SDS014	7/8	3/16 x 3/32	1.5
SDS101	1-1/16	1/4 x 1/8	1.4
SDS109	1-9/16	3/8 x 3/16	1.1
SDS113	1-13/16	1/2 x 1/8	0.9
SDS114	1-7/8	1/2 x 1/16	0.9
SDS200	2	No KS	0.7

SK BUSHINGS			
Product #	Bore	Key Seat	Wt.
SKMPB	7/16	No KS	3.6
SK008	1/2	1/8 x 1/16	3.6
SK009	9/16	1/8 x 1/16	3.6
SK010	5/8	3/16 x 3/32	3.6
SK011	11/16	3/16 x 3/32	3.5
SK012	3/4	3/16 x 3/32	3.5
SK013	13/16	3/16 x 3/32	3.5
SK014	7/8	3/16 x 3/32	3.4
SK015	15/16	1/4 x 1/8	3.4
SK100	1	1/4 x 1/8	3.3
SK101	1-1/16	1/4 x 1/8	3.3
SK102	1-1/8	1/4 x 1/8	3.2
SK103	1-3/16	1/4 x 1/8	3.2
SK104	1-1/4	1/4 x 1/8	3.1
SK105	1-5/16	5/16 x 5/32	3.1
SK106	1-3/8	5/16 x 5/32	3.0
SK109	1-9/16	3/8 x 3/16	2.8
SK110	1-5/8	3/8 x 3/16	2.7
SK111	1-11/16	3/8 x 3/16	2.6
SK112	1-3/4	3/8 x 3/16	2.5
SK113	1-13/16	1/2 x 1/4	2.4
SK114	1-7/8	1/2 x 1/4	2.4
SK200	2	1/2 x 1/4	2.2
SK201	2-1/16	1/2 x 1/4	2.1
SK202	2-1/8	1/2 x 1/4	2.0
SK204	2-1/4	1/2 x 1/8	1.9
SK205	2-5/16	5/8 x 1/16	1.8
SK206	2-3/8	5/8 x 1/16	1.7
SK208	2-1/2	5/8 x 1/16	1.5
SK209	2-9/16	No KS	1.3
SK210	2-5/8	No KS	1.1

SF BUSHINGS			
Product #	Bore	Key Seat	Wt.
SFMPB	1/2	No KS	5.1
SF008	1/2	1/8 x 1/16	5.1
SF010	5/8	3/16 x 3/32	5.0
SF012	3/4	3/16 x 3/32	5.0
SF014	7/8	3/16 x 3/32	4.9
SF015	15/16	1/4 x 1/8	4.8
SF101	1-1/16	1/4 x 1/8	4.7
SF102	1-1/8	1/4 x 1/8	4.7
SF105	1-5/16	5/16 x 5/32	4.5
SF109	1-9/16	3/8 x 3/16	4.2
SF113	1-13/16	1/2 x 1/4	3.8
SF114	1-7/8	1/2 x 1/4	3.7
SF201	2-1/16	1/2 x 1/4	3.4
SF202	2-1/8	1/2 x 1/4	3.3
SF204	2-1/4	1/2 x 1/4	3.1
SF205	2-5/16	5/8 x 3/16	3.1
SF206	2-3/8	5/8 x 3/16	3.0
SF209	2-9/16	5/8 x 1/16	2.6
SF211	2-11/16	5/8 x 1/16	2.4
SF212	2-3/4	5/8 x 1/16	2.2
SF214	2-7/8	5/8 x 1/16	1.8

E BUSHINGS			
Product #	Bore	Key Seat	Wt.
EMPB	7/8	No KS	10.8
E007	7/8	3/16 x 3/32	10.8
E015	15/16	1/4 x 1/8	10.8
E100	1	1/4 x 1/8	10.7
E102	1-1/8	1/4 x 1/8	10.6
E103	1-3/16	1/4 x 1/8	10.5
E104	1-1/4	1/4 x 1/8	10.4
E105	1-5/16	5/16 x 5/32	10.3
E106	1-3/8	5/16 x 5/32	10.2
E107	1-7/16	3/8 x 3/16	10.1
E108	1-1/2	3/8 x 3/16	10.0
E109	1-9/16	3/8 x 3/16	9.9
E110	1-5/8	3/8 x 3/16	9.8
E111	1-11/16	3/8 x 3/16	9.7
E112	1-3/4	3/8 x 3/16	9.6
E113	1-13/16	1/2 x 1/4	9.4
E114	1-7/8	1/2 x 1/4	9.3
E201	2-1/16	1/2 x 1/4	8.9
E202	2-1/8	1/2 x 1/4	8.8
E204	2-1/4	1/2 x 1/4	8.5
E205	2-5/16	5/8 x 5/16	8.3
E206	2-3/8	5/8 x 5/16	8.1
E209	2-9/16	5/8 x 5/16	7.6
E210	2-5/8	5/8 x 5/16	7.5
E211	2-11/16	5/8 x 5/16	7.3

E BUSHINGS (Cont.)			
Product #	Bore	Key Seat	Wt.
E212	2-3/4	5/8 x 5/16	7.1
E213	2-13/16	3/4 x 3/8	7.2
E214	2-7/8	3/4 x 3/8	7.1
E302	3-1/8	3/4 x 1/8	6.3
E303	3-3/16	3/4 x 1/8	6.0
E304	3-1/4	3/4 x 1/8	5.8
E305	3-5/16	7/8 x 1/16	5.7
E306	3-3/8	7/8 x 1/16	5.5
E308	3-1/2	7/8 x 3/16	4.7

F BUSHINGS			
Product #	Bore	Key Seat	Wt.
FMPB	1	No KS	17.9
F100	1	1/4 x 1/8	17.9
F101	1-1/8	1/4 x 1/8	17.7
F103	1-3/16	1/4 x 1/8	17.6
F104	1-1/4	1/4 x 1/8	17.5
F106	1-3/8	5/16 x 5/32	17.2
F107	1-7/16	3/8 x 3/16	17.1
F108	1-1/2	3/8 x 3/16	16.9
F109	1-9/16	3/8 x 3/16	16.8
F110	1-5/8	3/8 x 3/16	16.7
F112	1-3/4	3/8 x 3/16	16.3
F114	1-7/8	1/2 x 1/4	16.0
F201	2-1/16	1/2 x 1/4	15.4
F202	2-1/8	1/2 x 1/4	15.2
F203	2-3/16	1/2 x 1/4	15.0
F204	2-1/4	1/2 x 1/4	14.8
F205	2-5/16	5/8 x 5/16	14.5
F206	2-3/8	5/8 x 5/16	14.3
F208	2-1/2	5/8 x 5/16	13.9
F209	2-9/16	5/8 x 5/16	13.7
F210	2-5/8	5/8 x 5/16	13.4
F211	2-11/16	5/8 x 5/16	13.2
F212	2-3/4	5/8 x 5/16	12.9
F213	2-13/16	3/4 x 3/8	12.6
F214	2-7/8	3/4 x 3/8	12.3
F300	3	3/4 x 3/8	11.8
F301	3-1/8	3/4 x 3/8	11.2
F303	3-3/16	3/4 x 3/8	10.9
F304	3-1/4	3/4 x 3/8	10.6
F305	3-5/16	7/8 x 3/16	11.0
F306	3-3/8	7/8 x 3/16	10.6
F308	3-1/2	7/8 x 3/16	10.0
F310	3-5/8	7/8 x 3/16	9.4
F311	3-11/16	7/8 x 3/16	9.0
F312	3-3/4	7/8 x 3/16	8.7
F314	3-7/8	1 x 1/8	8.1
F400	4	No KS	6.9

Note: When ordering, add the Q-Style Bushing prefix BSHQD to the indicated part number. For example, an SDS bushing for a 1/2" shaft would be ordered as part #BSHQDSDS008.

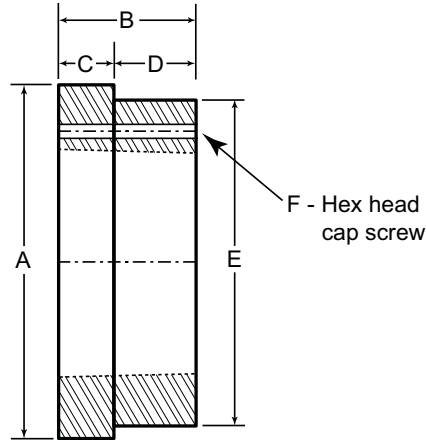
All measurements in inches. Weights are approximate in pounds.

Q-Style Hubs

Dimensions



Q-Style weld on hubs for conveyor pulleys.



Hub Type	Dimensions in inches					
	A	B	C	D	E	F
SDS	3-5/8	3/4	7/16	5/16	3-3/8 *	3 @ 1/4 - 20
SK	4-5/8	1-1/4	3/8	7/8	4-3/8 *	3 @ 5/16 - 18
SF	5-1/4	1-1/4	3/8	7/8	5 *	3 @ 3/8 - 16
E	6-1/2	1-1/2	1/2	1	6-1/4 *	3 @ 1/2 - 13
FS	6-7/8	1-3/4	1/2	1-1/4	6-5/8 *	3 @ 9/16 - 12
JS	7-5/8	2	1/2	1-1/2	7-1/4 *	3 @ 5/8 - 11
MS	9-1/2	2-1/4	3/4	1-1/2	9 *	4 @ 3/4 - 10
NS	10-1/2	2-1/2	3/4	1-3/4	10 *	4 @ 7/8 - 9
PS	12	3	7/8	2-1/8	11-1/2 **	4 @ 1 - 8
WS	15-1/4	3-1/2	7/8	2-5/8	14-3/4 **	4 @ 1-1/8 - 7

* + .000 to - .002

** + .000 to - .005