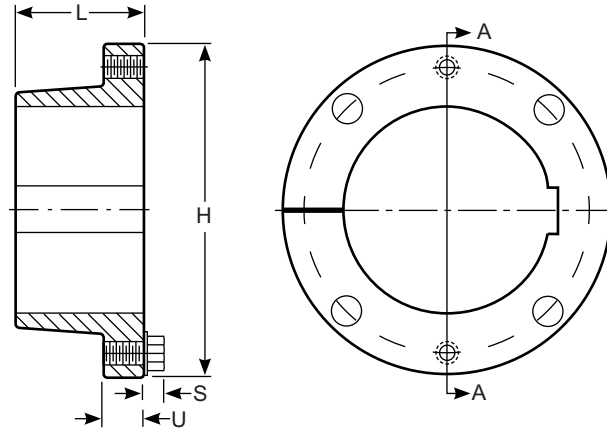


X-Style Bushings - XTB

Dimensions



X-Style hubs and bushings are available in types and sizes to be compatible with the full range of AP conveyor pulleys. Contact your American Pulley representative for more information. All sizes are normally stocked as forged steel for severe duty, as compared to the cast iron bushings available from other manufacturers.



Bushing	Wrench Torque	Dimensions in inches				Cap Screws	Wt. lbs.
		L	U	H	S		
XTB15	95	1-1/8	3/8	2-7/8	5/32	4 @ 1/4 x 1	0.7
XTB20	200	1-13/32	15/32	3-3/4	7/32	4 @ 5/16 x 1-1/4	1.5
XTB25	350	1-7/8	5/8	4-7/16	1/4	4 @ 3/8 x 1-3/4	2.6
XTB30	550	2-1/16	11/16	5-5/16	9/32	4 @ 7/16 x 1-1/2	4.2
XTB35	840	2-15/32	25/32	6-5/16	5/16	4 @ 1/2 x 1-3/4	7.4
XTB40	1200	2-13/16	7/8	7-1/8	3/8	4 @ 9/16 x 2	10.5
XTB45	1680	3-5/16	15/16	8	13/32	4 @ 5/8 x 2-1/4	14.8
XTB50	3000	3-3/4	1	10-1/8	15/32	4 @ 3/4 x 2-1/2	27.8
XTB60	4800	4-1/8	1-1/8	11-15/16	9/16	4 @ 7/8 x 2-1/2	42.8
XTB70	7200	4-11/16	1-5/16	13-15/16	5/8	4 @ 1 x 3	66.3
XTB80	9000	5-1/8	1-3/8	15-5/8	11/16	4 @ 1-1/8 x 3-1/2	85.7
XTB100	9000	6-3/16	1-9/16	17-15/16	11/16	6 @ 1-1/8 x 3-1/2	146.0
XTB120	9000	7-1/16	1-3/4	20-5/8	11/16	8 @ 1-1/8 x 3-1/2	216.0

Note: After installation, the bushings and capscrews should be inspected for proper seating weekly for the first month, and during any periodic shutdowns thereafter.

- **Developed especially for conveyor pulley applications**
- **Tapered 2"/foot for maximum holding power**
- **Easy installation and removal**

X-Style Bushings - XTB

Bore & Keyseat Dimensions



American Pulley stocks X-Style bushings in the following bore and keyseat sizes.

All measurements in inches.

XTB15 BUSHINGS			
Prod. #	Bore	Key Seat	Key Supplied
X010	5/8	3/16 x 3/32	-
X012	3/4	3/16 x 3/32	-
X014	7/8	3/16 x 3/32	-
X100	1	1/4 x 1/8	-
X102	1-1/8	1/4 x 1/8	-
X103	1-3/16	1/4 x 1/8	-
X104	1-1/4	1/4 x 1/8	-
X107	1-7/16	3/8 x 1/8	3/8 x 5/16 x 1-1/8
X108	1-1/2	3/8 x 1/8	3/8 x 5/16 x 1-1/8

XTB20 BUSHINGS			
Prod. #	Bore	Key Seat	Key Supplied
X012	3/4	3/16 x 3/32	-
X100	1	1/4 x 1/8	-
X103	1-3/16	1/4 x 1/8	-
X104	1-1/4	1/4 x 1/8	-
X107	1-7/16	3/8 x 3/16	-
X108	1-1/2	3/8 x 3/16	-
X111	1-11/16	3/8 x 3/16	-
X115	1-15/16	1/2 x 3/16	1/2 x 7/16 x 1-3/8
X200	2	1/2 x 3/16	1/2 x 7/16 x 1-3/8

XTB25 BUSHINGS			
Prod. #	Bore	Key Seat	Key Supplied
X100	1	1/4 x 1/8	-
X103	1-3/16	1/4 x 1/8	-
X104	1-1/4	1/4 x 1/8	-
X107	1-7/16	3/8 x 3/16	-
X108	1-1/2	3/8 x 3/16	-
X111	1-11/16	3/8 x 3/16	-
X115	1-15/16	1/2 x 1/4	-
X200	2	1/2 x 1/4	-
X203	2-3/16	1/2 x 1/4	-
X207	2-7/16	5/8 x 1/8	5/8 x 7/16 x 1-3/4

XTB30 BUSHINGS			
Prod. #	Bore	Key Seat	Key Supplied
X107	1-7/16	3/8 x 3/16	-
X108	1-1/2	3/8 x 3/16	-
X115	1-15/16	1/2 x 1/4	-
X203	2-3/16	1/2 x 1/4	-
X207	2-7/16	5/8 x 5/16	-
X211	2-11/16	5/8 x 5/16	-
X215	2-15/16	3/4 x 3/16	3/4 x 9/16 x 2

XTB35 BUSHINGS			
Prod. #	Bore	Key Seat	Key Supplied
X115	1-15/16	1/2 x 1/4	-
X203	2-3/16	1/2 x 1/4	-
X207	2-7/16	5/8 x 5/16	-
X211	2-11/16	5/8 x 5/16	-
X215	2-15/16	3/4 x 3/8	-
X307	3-7/16	7/8 x 5/16	7/8 x 3/4 x 2-1/2

XTB40 BUSHINGS			
Prod. #	Bore	Key Seat	Key Supplied
X207	2-7/16	5/8 x 5/16	-
X215	2-15/16	3/4 x 3/8	-
X307	3-7/16	7/8 x 7/16	-
X315	3-15/16	1 x 3/8	1 x 7/8 x 2-3/4

XTB45 BUSHINGS			
Prod. #	Bore	Key Seat	Key Supplied
X307	3-7/16	7/8 x 7/16	-
X315	3-15/16	1 x 1/2	-
X407	4-7/16	1 x 3/8	1 x 7/8 x 3-1/4

XTB50 BUSHINGS			
Prod. #	Bore	Key Seat	Key Supplied
X315	3-15/16	1 x 1/2	-
X407	4-7/16	1 x 1/2	-
X415	4-15/16	1-1/4 x 5/8	-

XTB60 BUSHINGS			
Prod. #	Bore	Key Seat	Key Supplied
X507	5-7/16	1-1/4 x 5/8	-
X508	5-1/2	1-1/4 x 5/8	-
X515	5-15/16	1-1/2 x 3/4	-
X600	6	1-1/2 x 3/4	-

XTB70 BUSHINGS			
Prod. #	Bore	Key Seat	Key Supplied
X607	6-7/16	1-1/2 x 3/4	-
X608	6-1/2	1-1/2 x 3/4	-
X615	6-15/16	1-3/4 x 3/4	-
X700	7	1-3/4 x 3/4	-

XTB80 BUSHINGS			
Prod. #	Bore	Key Seat	Key Supplied
X708	7-1/2	1-3/4 x 3/4	-
X715	7-15/16	2 x 3/4	-
X800	8	2 x 3/4	-

XTB100 BUSHINGS			
Prod. #	Bore	Key Seat	Key Supplied
X808	8-1/2	2 x 3/4	-
X900	9	2 x 3/4	-
X907	9-7/16	2-1/2 x 7/8	-
X908	9-1/2	2-1/2 x 7/8	-
X1000	10	2-1/2 x 7/8	-

XTB120 BUSHINGS			
Prod. #	Bore	Key Seat	Key Supplied
X1008	10-1/2	2-1/2 x 7/8	-
X1100	11	2-1/2 x 7/8	-
X1108	11-1/2	3 x 1	-
X1200	12	3 x 1	-

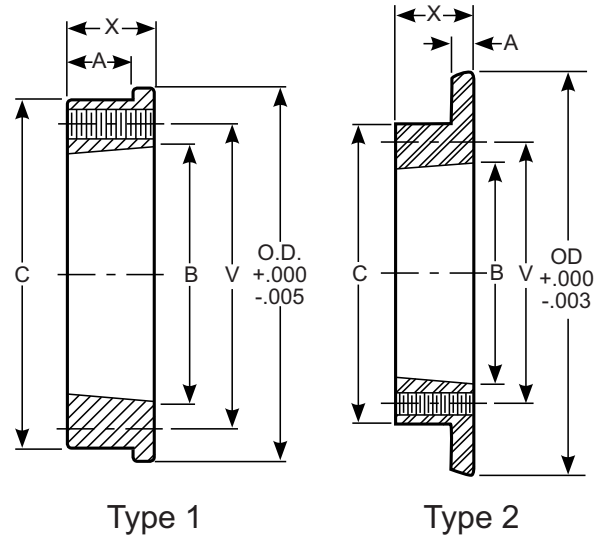
Note: When ordering, add the X-Style Bushing prefix to the indicated part number. For example, an XTB15 bushing for a 5/8" shaft would be ordered as part #XTB15X010.

X-Style Hubs Dimensions



X-Style hubs and bushings features include:

- ▶ Designed for conveyor pulley applications
- ▶ Taper of 2"/ft.
- ▶ All sizes are forged steel
- ▶ Self-seating design eliminates the need for hammer and drift
- ▶ Reduced axial movement reduces end disc pre-stressing
- ▶ High compressive force reduces pulley walking on shaft
- ▶ Bolts are equally spaced to allow uniform draw-up
- ▶ Full length engagement with the hub
- ▶ Easy to remove
- ▶ Full size keys in bushings with maximum bore of 50 and larger



Part #	For Bushing #	Dimensions in Inches							Tapped Holes		Wt. Lbs.
		O.D.	A	B	C	V	X	d	No.	Size	
Type 1 Hubs											
XTH15	XTB15	3.190	7/16	2.000	2.875	2-7/16	5/8	5/8	4	1/4 - 20NC	0.7
XTH20	XTB20	4.065	9/16	2.688	3.8125	3-3/16	13/16	13/16	4	5/16 - 18NC	1.5
XTH25	XTB25	4.690	13/16	3.188	4.375	3-3/4	1-1/8	1-1/8	4	3/8 - 16NC	2.6
XTH30	XTB30	5.940	7/8	3.875	5.750	4-9/16	1-1/4	1-1/16	4	7/16 - 14NC	4.1
XTH35	XTB35	6.565	1-1/16	4.688	6.345	5-7/16	1-1/2	1-1/4	4	1/2 - 13NC	6.6
XTH40	XTB40	7.5625	1-1/4	5.313	7.250	6-1/8	1-3/4	1-3/8	4	9/16 - 12NC	10.7
XTH45	XTB45	8.315	1-1/2	5.938	8.000	6-7/8	2-1/8	1-9/16	4	5/8 - 11NC	15.4
XTH50	XTB50	9.940	1-3/4	7.250	9.5625	8-5/16	2-1/2	1-3/4	4	3/4 - 10NC	24.9
XTH60	XTB60	11.690	1-15/16	8.625	11.250	9-7/8	2-3/4	1-5/8	4	7/8 - 9NC	36.4
XTH70	XTB70	13.6275	2-3/16	10.000	13.1875	11-9/16	3-1/8	1-15/16	4	1 - 8NC	57.7
XTH80	XTB80	14.940	2-7/16	11.125	14.625	12-7/8	3-7/16	2-3/8	4	1-1/8 - 7NC	75.6
XTH100	XTB100	17.940	3	13.688	17.500	15-9/16	4-1/8	2-3/16	6	1-1/8 - 7NC	122.0
XTH120	XTB120	20.940	3-1/2	16.188	20.500	18-3/16	4-13/16	2	8	1-1/8 - 7NC	188.0
Type 2 Hubs											
XTH15F04	XTB15	3.855	1/4	2.000	3.625	2-7/16	9/16	-	4	1/4 - 20NC	1.2
XTH15F05	XTB15	4.805	1/4	2.000	4.625	2-7/16	9/16	-	4	1/4 - 20NC	1.7
XTH15F06	XTB15	5.815	1/4	2.000	5.500	2-7/16	9/16	-	4	1/4 - 20NC	2.3
XTH15F08	XTB15	7.807	1/4	2.000	2.875	2-7/16	11/16	-	4	1/4 - 20NC	3.8
XTH20F05	XTB20	4.805	1/4	2.688	3.6875	3-3/16	13/16	-	4	5/16 - 18NC	1.8
XTH20F06	XTB20	5.815	1/4	2.688	3.6875	3-3/16	13/16	-	4	5/16 - 18NC	
XTH20F08	XTB20	7.807	1/4	2.688	3.6875	3-3/16	13/16	-	4	5/16 - 18NC	
XTH20F10	XTB20	9.827	5/16	2.688	3.6875	3-3/16	13/16	-	4	5/16 - 18NC	
XTH20F12	XTB20	11.847	5/16	2.688	3.6875	3-3/16	13/16	-	4	5/16 - 18NC	
XTH25F06	XTB25	5.815	5/16	3.188	4.3125	3-3/4	1-1/8	-	4	3/8 - 16NC	
XTH25F08	XTB25	7.807	5/16	3.188	4.3125	3-3/4	1-1/8	-	4	3/8 - 16NC	
XTH25F10	XTB25	9.827	5/16	3.188	4.3125	3-3/4	1-1/8	-	4	3/8 - 16NC	
XTH25F12	XTB25	11.847	5/16	3.188	4.3125	3-3/4	1-1/8	-	4	3/8 - 16NC	